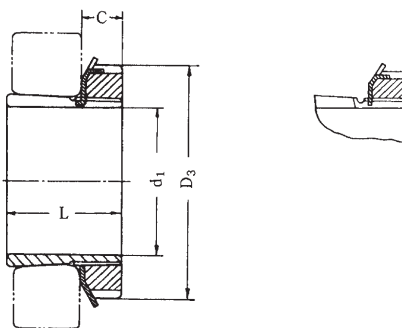


## Adapter Sleeves With Lock Nuts and Lock Washer

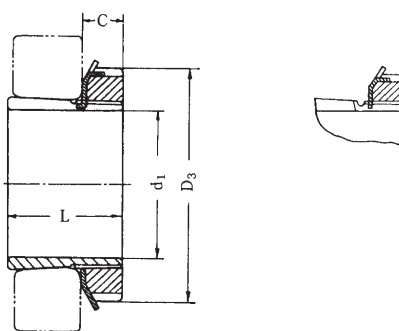


## H 200 / HE 200 Series HS 200 / HA 200 Series

Adapter Sleeves

Adapter Sleeve Number				Dimensions							Weight (kg)
				d <sub>1</sub>				L mm	D <sub>3</sub> mm	C mm	
H	HE	HS	HA	H mm	HEin	HSin	HAin				
H 205	HE 205	–	–	20	$\frac{3}{4}$	–	–	26	38	8	0.070
H 206	06	–	HA 206	25	1	–	$\frac{15}{16}$	27	45	8	0.099
H 207	–	HS 207	07	30	–	$1\frac{1}{8}$	$1\frac{3}{16}$	29	52	9	0.125
H 208	HE 208	HS 208	–	35	$1\frac{1}{4}$	$1\frac{3}{8}$	–	31	58	10	0.174
H 209	09	09	HA 209	40	$1\frac{1}{2}$	$1\frac{5}{8}$	$1\frac{7}{16}$	33	65	11	0.226
H 210	10	–	10	45	$1\frac{3}{4}$	–	$1\frac{11}{16}$	35	70	12	0.274
H 211	HE 211	HS 211	HA 211	50	2	$1\frac{7}{8}$	$1\frac{15}{16}$	37	75	12	0.308
H 212	–	12	–	55	–	$2\frac{1}{8}$	–	38	80	13	0.346
H 213	13	13	13	60	$2\frac{1}{4}$	$2\frac{3}{8}$	$2\frac{3}{16}$	40	85	14	0.401
H 214	–	–	–	60	–	–	–	41	92	14	0.550
H 215	HE 215	HS 215	HA 215	65	$2\frac{1}{2}$	$2\frac{5}{8}$	$2\frac{7}{16}$	43	98	15	0.708
H 216	16	–	16	70	$2\frac{3}{4}$	–	$2\frac{11}{16}$	46	105	17	0.881
H 217	HE 217	HE 217	HE 217	75	3	$2\frac{7}{8}$	$2\frac{15}{16}$	50	110	18	1.02
H 218	–	18	–	80	–	$3\frac{1}{8}$	–	52	120	18	1.18
H 219	19	–	–	85	$3\frac{1}{4}$	–	–	55	125	19	1.37
H 220	HE 220	–	–	90	$3\frac{1}{2}$	–	–	58	130	20	1.49
H 221	–	–	–	95	–	–	–	60	140	20	1.70
H 222	22	–	–	100	4	–	–	63	145	21	1.93

## H 300 / HE 300 Series HS 300 / HA 300 Series

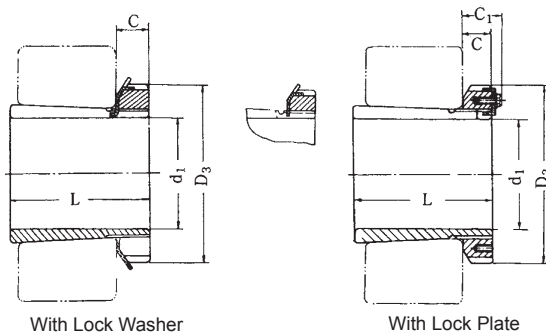


## Adapter Sleeves

Adapter Sleeve Number				Dimensions							Weight (kg)
				d <sub>1</sub>				L mm	D <sub>3</sub> mm	C mm	
H	HE	HS	HA	H mm	HEin	HSin	HAin				
H 305	HE 305	-	-	20	$\frac{3}{4}$	-	-	29	38	8	0.075
H 306	06	-	HA 306	25	1	-	$\frac{15}{16}$	31	45	8	0.109
H 307	-	HS 307	07	30	-	$1\frac{1}{8}$	$1\frac{3}{16}$	35	52	9	0.142
H 308	HE 308	HS 308	-	35	$1\frac{1}{4}$	$1\frac{3}{8}$	-	36	58	10	0.189
H 309	09	09	HA 309	40	$1\frac{1}{2}$	$1\frac{5}{8}$	$1\frac{7}{16}$	39	65	11	0.248
H 310	10	-	10	45	$1\frac{3}{4}$	-	$1\frac{11}{16}$	42	70	12	0.302
H 311	HE 311	HS 311	HA 311	50	2	$1\frac{7}{8}$	$1\frac{15}{16}$	45	75	12	0.345
H 312	-	12	-	55	-	$2\frac{1}{8}$	-	47	80	13	0.393
H 313	13	13	13	60	$2\frac{1}{4}$	$2\frac{3}{8}$	$2\frac{3}{16}$	50	85	14	0.459
H 314	-	-	-	60	-	-	-	52	92	14	0.723
H 315	HE 315	HS 315	HA 315	65	$2\frac{1}{2}$	$2\frac{5}{8}$	$2\frac{7}{16}$	55	98	15	0.830
H 316	16	-	16	70	$2\frac{3}{4}$	-	$2\frac{11}{16}$	59	105	17	1.03
H 317	HE 317	HE 317	HE 317	75	3	$2\frac{7}{8}$	$2\frac{15}{16}$	63	110	18	1.18
H 318	-	18	-	80	-	$3\frac{1}{8}$	-	65	120	18	1.37
H 319	19	-	-	85	$3\frac{1}{4}$	-	-	68	125	19	1.56
H 320	HE 320	-	-	90	$3\frac{1}{2}$	-	-	71	130	20	1.69
H 321	-	-	-	95	-	-	-	74	140	20	1.93
H 322	22	-	-	100	4	-	-	77	145	21	2.18

Adapter Sleeves

## Adapter Sleeves



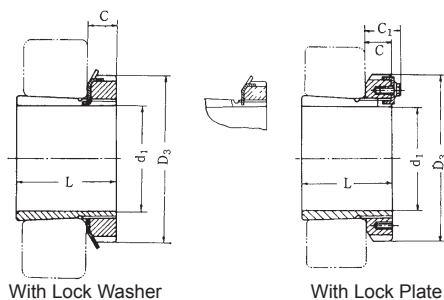
## H 2300 / HE 2300 Series HS 2300 / HA 2300 Series

Adapter Sleeves

Adapter Sleeve Number				Dimensions								Weight (kg)
				d <sub>1</sub>				L mm	D <sub>3</sub> mm	C mm	C <sub>1</sub> mm	
H	HE	HS	HA	H mm	HEin	HSin	HAin					
H 2305	HE 2305	-	-	20	3/4	-	-	35	38	8	-	0.087
H 2306	06	-	HA 2306	25	1	-	15/16	38	45	8	-	0.126
H 2307	-	HS 2307	07	30	-	1 1/8	1 3/16	43	52	9	-	0.165
H 2308	HE 2308	HS 2308	-	35	1 1/4	1 3/8	-	46	58	10	-	0.224
H 2309	09	09	HA 2309	40	1 1/2	1 5/8	1 7/16	50	65	11	-	0.280
H 2310	10	-	10	45	1 3/4	-	1 11/16	55	70	12	-	0.362
H 2311	HE 2311	HS 2311	HA 2311	50	2	1 7/8	1 15/16	59	75	12	-	0.420
H 2312	-	12	-	55	-	2 1/8	-	62	80	13	-	0.480
H 2313	13	13	13	60	2 1/4	2 3/8	2 3/16	65	85	14	-	0.556
H 2314	-	-	-	60	-	-	-	68	92	14	-	0.897
H 2315	HE 2315	HS 2315	HA 2315	65	2 1/2	2 5/8	2 7/16	73	98	15	-	1.05
H 2316	16	-	16	70	2 3/4	-	2 11/16	78	105	17	-	1.28
H 2317	HE 2317	HE 2317	HE 2317	75	3	2 7/8	2 15/16	82	110	18	-	1.45
H 2318	-	18	-	80	-	3 1/8	-	86	120	18	-	1.70
H 2319	19	-	-	85	3 1/4	-	-	90	125	19	-	1.94
H 2320	HE 2320	-	-	90	3 1/2	-	-	97	130	20	-	2.15
H 2322	22	-	-	100	4	-	-	105	145	21	-	2.74
H 2324	HE 2324	-	-	110	4 1/4	-	-	112	155	22	-	3.20
H 2326	26	-	-	115	4 1/2	-	-	121	165	23	-	4.60
H 2328	28	-	-	125	5	-	-	131	180	24	-	5.52
H 2330	HE 2330	-	-	135	5 1/4	-	-	139	195	26	-	6.60
H 2332	32	-	-	140	5 1/2	-	-	147	210	28	-	9.15
H 2332	34	-	-	150	6	-	-	154	220	29	-	10.4
H 2336	HE 2336	-	-	160	6 1/2	-	-	161	230	30	-	11.3
H 2338	38	-	-	170	6 3/4	-	-	169	240	31	-	12.6
H 2340	40	-	-	180	7	-	-	176	250	32	-	13.9
H 2344	-	-	-	200	-	-	-	183	280	32	44	16.6
H 2348	-	-	-	220	-	-	-	196	300	34	46	19.7
H 2352	-	-	-	240	-	-	-	208	330	36	49	24.2
H 2356	-	-	-	260	-	-	-	221	350	38	51	27.8

**H 3000 / HE 3000 Series**

**Adapter Sleeves**

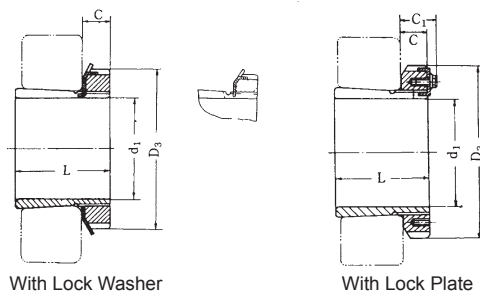


Adapter Sleeve Number		Dimensions						Weight (kg)
		d <sub>1</sub>		L mm	D <sub>3</sub> mm	C mm	C <sub>1</sub> mm	
H	HE	H mm	HE in					
H 3024	HE 3024	110	4 <sup>1</sup> / <sub>4</sub>	72	145	22	–	1.96
H 3026	HE 26	115	4 <sup>1</sup> / <sub>2</sub>	80	155	23	–	2.85
H 3028	HE 28	125	5	82	165	24	–	3.18
H 3030	HE 3030	135	5 <sup>1</sup> / <sub>4</sub>	87	180	26	–	3.90
H 3032	HE 32	140	5 <sup>1</sup> / <sub>2</sub>	93	190	28	–	5.20
H 3034	HE 34	150	6	101	200	29	–	6.00
H 3036	HE 3036	160	6 <sup>1</sup> / <sub>2</sub>	109	210	30	–	6.85
H 3038	38	170	6 <sup>3</sup> / <sub>4</sub>	112	220	31	–	7.45
H 3040	40	180	7	120	240	32	–	9.20
H 3044	–	200	–	128	260	30	41	10.3
H 3048	–	220	–	133	290	34	46	13.4
H 3052	–	240	–	147	300	34	46	15.6
H 3056	–	260	–	152	330	38	50	17.7
H 3060	–	280	–	168	360	42	54	22.8
H 3064	–	300	–	171	380	42	55	24.6
H 3068	–	320	–	187	400	45	58	28.6
H 3072	–	340	–	188	420	45	58	30.6
H 3076	–	360	–	193	450	48	62	35.8
H 3080	–	380	–	210	470	52	66	41.5
H 3084	–	400	–	212	490	52	66	43.6
H 3088	–	410	–	228	520	60	77	65.5
H 3092	–	430	–	234	540	60	77	69.4
H 3096	–	450	–	237	560	60	77	73.5
H 30/500	–	470	–	247	580	68	85	82.0

Adapter Sleeves

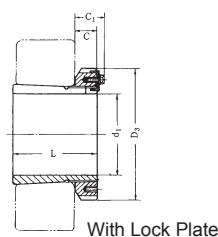
## Adapter Sleeves

## H 3100 / HE 3100 Series



Adapter Sleeves

Adapter Sleeve Number		Dimensions					Weight (kg)	
		d <sub>1</sub>		L	D <sub>3</sub>	C		C <sub>1</sub>
H	HE	H mm	HEin	mm	mm	mm	mm	
H 3122	HE 3122	100	4	81	145	21	—	2.25
H 3124	24	110	4 <sup>1</sup> / <sub>4</sub>	88	155	22	—	2.64
H 3126	26	115	4 <sup>1</sup> / <sub>2</sub>	92	165	23	—	3.66
H 3128	HE 3128	125	5	97	180	24	—	4.34
H 3130	30	135	5 <sup>1</sup> / <sub>4</sub>	111	195	26	—	5.54
H 3132	32	140	5 <sup>1</sup> / <sub>2</sub>	119	210	28	—	7.70
H 3134	HE 3134	150	6	122	220	29	—	8.40
H 3136	36	160	6 <sup>1</sup> / <sub>2</sub>	131	230	30	—	9.50
H 3138	38	170	6 <sup>3</sup> / <sub>4</sub>	141	240	31	—	10.8
H 3140	HE 3140	180	7	150	250	32	—	12.1
H 3144	—	200	—	158	280	32	44	14.7
H 3148	—	220	—	169	300	34	46	17.3
H 3152	—	240	—	187	330	36	49	22.0
H 3156	—	260	—	192	350	38	51	24.5
H 3160	—	280	—	208	380	40	53	30.3
H 3164	—	300	—	226	400	42	56	35.0
H 3168	—	320	—	254	440	55	72	49.5
H 3172	—	340	—	259	460	58	75	54.5
H 3176	—	360	—	264	490	60	77	61.6
H 3180	—	380	—	272	520	62	82	70.8
H 3184	—	400	—	304	540	70	90	84.5
H 3188	—	410	—	307	560	70	90	108.0
H 3192	—	430	—	326	580	75	95	116.0
H 3196	—	450	—	335	620	75	95	133.0
H 31/500	—	470	—	356	630	80	100	146.0

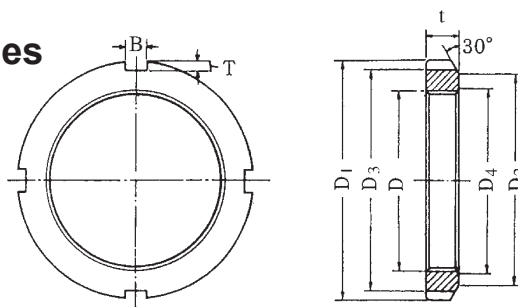


## Adapter Sleeves

## H 3200 Series

Adapter Sleeve Number		Dimensions (mm)					Weight (kg)
		d <sub>1</sub>	L	D <sub>3</sub>	C	C <sub>1</sub>	
H 3260		280	240	380	40	53	34.0
H 3264		300	258	400	42	56	39.4
H 3268		320	288	440	55	72	54.6
H 3272		340	299	460	58	75	60.2
H 3276		360	310	490	60	77	69.6
H 3280		380	328	520	62	82	81.0
H 3284		400	352	540	70	90	94.0
H 3288		410	361	560	70	90	118.0
H 3292		430	382	580	75	95	132.0
H 3296		450	397	620	75	95	152.0
H 32/500		470	428	630	80	100	166.0

## AN, ANL, AW, AWL Series



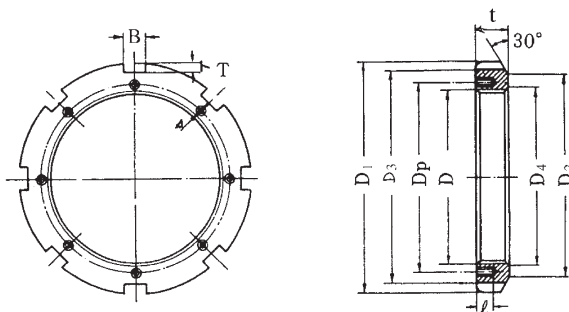
## Lock Nut and Lock Washer

Series AN		Dimensions (mm)										ANL Series		Thread (Diameter, D x Pitch)
Lock Nut Number	Lock Washer Number	AN series			AN/ANL			ANL Series			Lock Washer Number	Lock Nut Number		
		D <sub>1</sub>	D <sub>2</sub>	D <sub>3</sub>	t	B	T	D <sub>4</sub>	D <sub>1</sub>	D <sub>2</sub>			D <sub>3</sub>	
AN 00	AW 00	18	13	14	4	3	2	10.5	-	-	-	-	-	M 10X0.75
01	01	22	17	18	4	3	2	12.5	-	-	-	-	-	12X1
02	02	25	21	21	5	4	2	15.5	-	-	-	-	-	15X1
AN 03	AW 03	28	24	24	5	4	2	17.5	-	-	-	-	-	M 17X1
04	04	32	26	28	6	4	2	20.5	-	-	-	-	-	20X1
05	05	38	32	34	7	5	2	25.8	-	-	-	-	-	25X1.5
AN 06	AW 06	45	38	41	7	5	2	30.8	-	-	-	-	-	M 30X1.5
07	07	52	44	48	8	5	2	35.8	-	-	-	-	-	35X1.5
08	08	58	50	53	9	6	2.5	40.8	-	-	-	-	-	40X1.5
AN 09	AW 09	65	56	60	10	6	2.5	45.8	-	-	-	-	-	M 45X1.5
10	10	70	61	65	11	6	2.5	50.8	-	-	-	-	-	50X1.5
11	11	75	67	69	11	7	3	56	-	-	-	-	-	55X2
AN 12	AW 12	80	73	74	11	7	3	61	-	-	-	-	-	M 60X2
13	13	85	79	79	12	7	3	66	-	-	-	-	-	65X2
14	14	92	85	85	12	8	3.5	71	-	-	-	-	-	70X2
AN 15	AW 15	98	90	91	13	8	3.5	76	-	-	-	-	-	M 75X2
16	16	105	95	98	15	8	3.5	81	-	-	-	-	-	80X2
17	17	110	102	103	16	8	3.5	86	-	-	-	-	-	85X2
AN 18	AW 18	120	108	112	16	10	4	91	-	-	-	-	-	M 90X2
19	19	125	113	117	17	10	4	96	-	-	-	-	-	95X2
20	20	130	120	122	18	10	4	101	-	-	-	-	-	100X2
AN 21	AW 21	140	126	130	18	12	5	106	-	-	-	-	-	M 105X2
22	22	145	133	135	19	12	5	111	-	-	-	-	-	110X2
23	23	150	137	140	19	12	5	116	-	-	-	-	-	115X2
AN 24	AW 24	155	138	145	20	12	5	121	145	133	135	AWL 24	ANL 24	M 120X2
25	25	160	148	150	21	12	5	126	-	-	-	-	-	125X2
26	26	165	149	155	21	12	5	131	155	143	145	AWL 26	ANL 26	130X2
AN 27	AW 27	175	160	163	22	14	6	136	-	-	-	-	-	M 135X2
28	28	180	160	168	22	14	6	141	165	151	153	AWL 28	ANL 28	140X2
29	29	190	171	178	24	14	6	146	-	-	-	-	-	145X2
AN 30	AW 30	195	171	183	24	14	6	151	180	164	168	AWL 30	ANL 30	M 150X2
31	31	200	182	186	25	16	7	156.5	-	-	-	-	-	155X3
32	32	210	182	196	25	16	7	161.5	190	174	176	AWL 32	ANL 32	160X3
AN 33	AW 33	210	193	196	26	16	7	166.5	-	-	-	-	-	M 165X3
34	34	220	193	206	26	16	7	171.5	200	184	186	AWL 34	ANL 34	170X3
36	36	230	203	214	27	18	8	181.5	210	192	194	36	36	180X3
AN 38	AW 38	240	214	224	28	18	8	191.5	220	202	204	AWL 38	ANL 38	M 190X3
40	40	250	226	234	29	18	8	201.5	240	218	224	40	40	200X3

\* ANL Nut for H30 Adapter

## Lock Nut

## AN Series



Adapter Sleeves

Lock Nut Number	Dimensions (mm)										
	Thread (Diameter, D x Pitch)	D <sub>1</sub>	D <sub>2</sub>	D <sub>3</sub>	B	T	D <sub>4</sub>	t	PLATE HOLE		
									Thread (Diameter, D x Pitch)	l	D <sub>1</sub>
AN 44	Tr 220X4	280	250	260	20	10	222	32	M 8X1.25	15	238
48	240X4	300	270	280	20	10	242	34	8X1.25	15	258
52	260X4	330	300	306	24	12	262	36	10X1.5	18	281
AN 56	Tr 280X4	350	320	326	24	12	282	38	M 10X1.5	18	301
60	300X4	380	340	356	24	12	302	40	10X1.5	18	326
64	320X5	400	360	376	24	12	322.5	42	10X1.5	18	345
AN 68	Tr 340X5	440	400	410	28	15	342.5	55	M 12X1.75	21	372
72	360X5	460	420	430	28	15	362.5	58	12X1.75	21	392
76	380X5	490	450	454	32	18	382.5	60	12X1.75	21	414
AN 80	Tr 400X5	520	470	484	32	18	402.5	62	M 16X2	27	439
84	420X5	540	490	504	32	18	422.5	70	16X2	27	459
88	440X5	560	510	520	36	20	442.5	70	16X2	27	477

## Lock Nut

## ANL\* Series

ANL 44	Tr 220X4	260	242	242	20	9	222	30	M 6X1	12	229
48	240X4	290	270	270	20	10	242	34	8X1.25	15	253
52	260X4	310	290	290	20	10	262	34	8X1.25	15	273
ANL 56	Tr 280X4	330	310	310	24	10	282	38	M 8X1.25	15	293
60	300X4	360	336	336	24	12	302	42	8X1.25	15	316
64	320X5	380	356	356	24	12	322.5	42	8X1.25	15	335
ANL 68	Tr 340X5	400	376	376	24	12	342.5	45	M 8X1.25	15	355
72	360X5	420	394	394	28	13	362.5	45	8X1.25	15	374
76	380X5	450	422	422	28	14	382.5	48	10X1.5	18	398
ANL 80	Tr 400X5	470	442	442	28	14	402.5	52	M 10X1.5	18	418
84	420X5	490	462	462	32	14	422.5	52	10X1.5	18	438
88	440X5	520	490	490	32	15	442.5	60	12X1.75	21	462
ANL 92	Tr 460X5	540	510	510	32	15	462.5	60	M 12X1.75	21	482
96	480X5	560	530	530	36	15	482.5	60	12X1.75	21	502

\* ANL Nut for H30 Adapter